

BIOPAD-M

BIOMETRIC KEYPAD READER

BIOPAD-M is a Wiegand biometric keypad for access control applications with backlit keys and programmable wiegand output. It offers storage up to 9500 fingerprints, programmable Wiegand Output (8 to 128 bits) and selectable PIN Code length. Management of the reader is integrated in our access control software PROS CS.

For integration with other systems we provide:

- Biomanager CS, client-server based software package for solutions without additional development
- CNV1000, TCP/RS485 communication converter for connection between software and readers



INTERNAL AND EXTERNAL USE

FEATURES

- Surface Mount fingerprint reader with integrated keypad
- Authentication: Finger, Finger or PIN Code, Finger and PIN Code
- Storage capacity: 9500 Fingerprints
- Fingerprints per user: 1-10 fingerprints
- PIN Code Length: 1 to 8 digits
- Recognition and matching time: < 1 s
- SteelCoat protective coating provides added protection of fingerprint sensor for rugged environments
- Large rectangular LED allows a fast reader status reading.
- Configuration and template management by software
- Enrolment can be done from Desktop Reader or reader itself
- Adjustable Wiegand protocol (1 to 128-bit) is utilized in the biometric reader which makes it compatible with controllers with Wiegand interface
- Wiegand Protocol adjustment done through PC
- Programmable Backlight ON/OFF
- Separate BioManager CS Software available free when used with third party controllers
- Fingerprints stored in the reader and backup copy kept in the software
- Compatibility with XPR Control Panels: EWS
- Power Supply: 9-14 V DC
- Consumption: 150 mA max.
- IP rating: IP65
- Operating Temperature: -15°C to +50°C



ACCESORIES

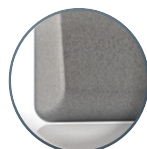


MCD-MINI
Compulsory protection cover supplied with reader for external use.

COLOURS

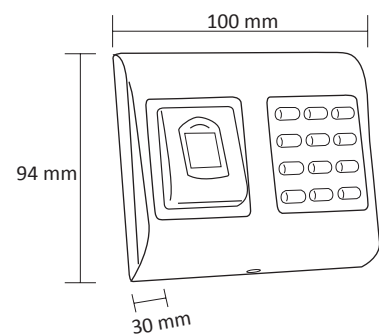


BIOPADS-M
Silver

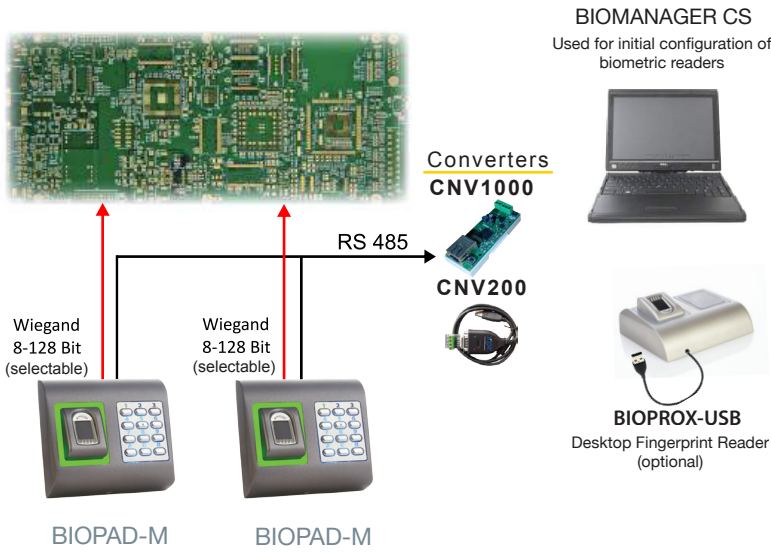


BIOPADC-M
Charcoal

DIMENSIONS



THIRD PARTY CONTROLLER - ARCHITECTURE



- Enrolment can be done from any biometric reader in the network or from Desktop USB Enrollment Unit.
- Finger templates can be sent to all readers in the network. Different Users can be sent to different Fingerprint Readers.

BIOMANAGER CS SOFTWARE

- Windows based PC Software
- Free Fingerprint Management Software for XPR Biometric Readers



PROS CS SOFTWARE

- Client-Server Software, multiple users can connect on the server PC
- User-Friendly windows Interface for simple programming, management and control of installations
- Unlimited number of Users
- Unlimited number of Access Levels
- Integrated fingerprint management
- Enrollment can be done from any reader in the network, or from Desktop enrolment unit
- Activation of several relays from one reader
- Remote Relays activation
- 24 Time zones, 32 Holidays
- Event viewer
- Customized reports with filter for: Time, User, Department, Reader or Door.
- Free software for 1 PC (USB dongle required for remote client PC)
- Time & attendance
- Sent reports by mail
- Fire Alarm, automatic printing of evacuation report
- MS Access or SQL
- Compatible with Windows: 8, 7, Vista, Server 2008, Windows 10
- Global fire alarm
- Live Muster report
- ID card design and printing
- User image capture with USB camera

EWS CONTROLLER - ARCHITECTURE

